



Model
1824

Type
Mobile
bathroom
2 in 1

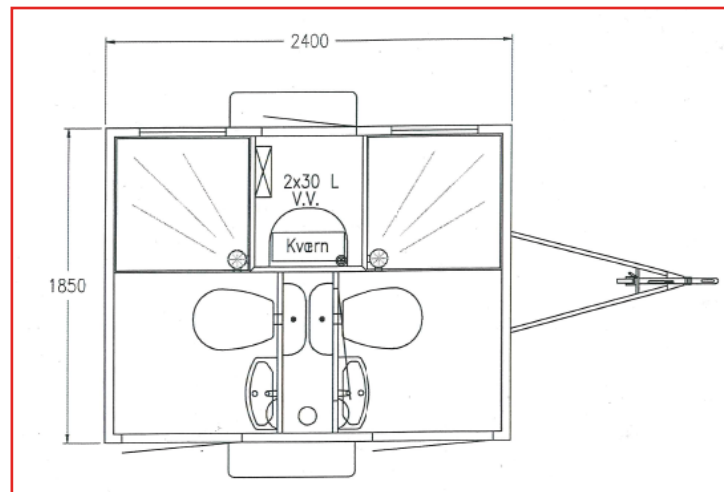
Example fittings: 2 shower cubicles, 2 toilets, 2 wash basins

Each room:

- ✓ 1 x shower cubicle with shower curtain
- ✓ 1 x toilet with waste macerator
- ✓ 1 x small window on the shower side
- ✓ 1 x wash basin

1 service room fitted with:

- ✓ 2 x 30 litre water heating system
- ✓ 1 x macerator, 1 x freeze protection
- ✓ Approx. 25 m fresh water hose, approx. 25 m waste water hose



VARIOTRAIL GmbH
Liegnitzer Str. 7
42489 Wülfrath

Telefon
02058/89269-0
Telefax
02058/89269-99